

INDUCTION HEATER

SHRINK FIT HEATER

HEAT ROBO 電磁

DENJI



For shrink fit tool holder, SLIMLINE only

HEAT ROBO 電磁 1200S

1200w
100v・120v・230v

φ3~12
(1/8"~1/2")

14 kg
(31 lbs)



COMPACT
Desk top type

18 sec.
Heating time
(φ6 (1/4"))

1 min.
Air cooling time

HEAT ROBO 電磁 5000S

High power

5000w
200v~240v

φ3~25
(1/8"~1")

30 kg
(67 lbs)

All sizes of
SLIMLINE
available!

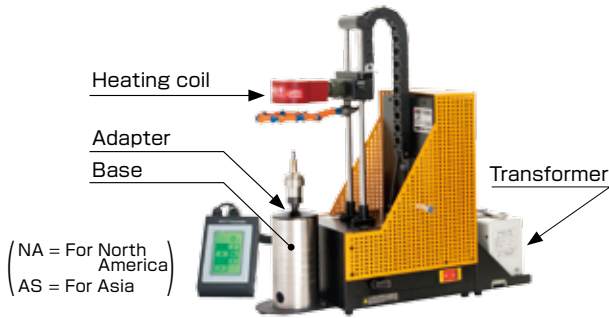


1207E

MST corporation

HEAT ROBO DENJI 1200S

HEAT ROBO DENJI 5000S



CODE	Voltage (Single phase)	Power supply	Weight
HRD-01S	AC 100V	1200W	14kg (31 lbs)
HRD-01S-120NA	AC 120V		19kg (42 lbs)
-230AS	AC 230V		

CODE	Voltage (Three phase)	Power supply	Weight
HRD-02S	AC 200V~240V	5000W	30kg (67 lbs)

Heating coil

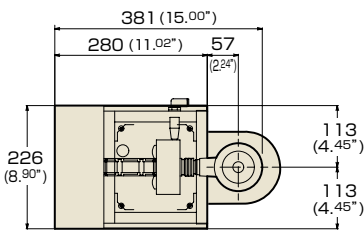
	CODE	Cutter shank dia.	Heating time
Coil 1	HRD-CL1-01	φ3 ~ 6 (1/8"~1/4")	18 sec.
Coil 2	-CL2-01	φ7 ~ 12 (5/6"~1/2")	33 sec.

	CODE	Cutter shank dia.	Heating time
Coil 1	HRD2-CL1-01	φ3 ~ 6 (1/8"~1/4")	18 sec.
Coil 2	-CL2-01	φ7 ~ 12 (5/16"~1/2")	28 sec.
Coil 3	-CL3-01	φ16, 20 (5/8", 3/4")	28 sec.
Coil 4	-CL4-01	φ25 (1")	40 sec.
Coil 5	-CL5-01	※	28 sec.

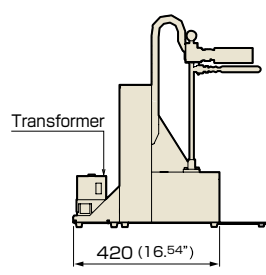
※ Coil 5 is for dia. 8, 10, 12, 16 (5/16", 3/8", 1/2", 5/8") internal bore with M22 effective length holders, and for all of SLRB and SLFB type.

Dimensions

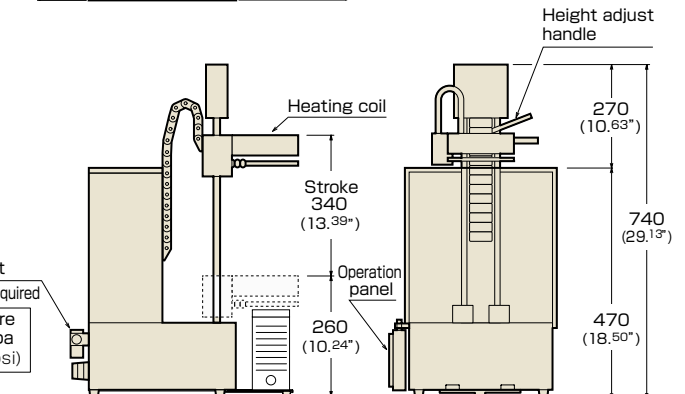
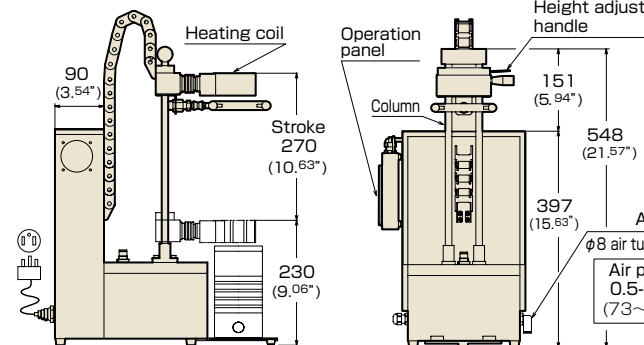
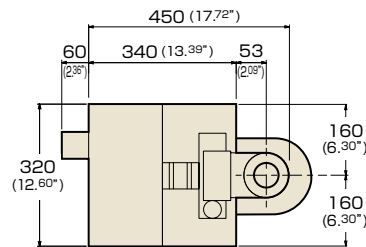
HRD-01S



HRD-01S-120NA-230AS



HRD-02S



- Option
 - Adapter
 - Base
 - Cutter stopper
 - Heating coil(HRD-02S)
- Standard Accessories
 - Heating coil(HRD-01S)
 - Heat-resistant gloves
 - Tweezers
- Note
 - The adapter and base are required for shrinking operation.
 - The unit without coils is available. (HRD-01S)
 - Factory compressed air (0.5 ~ 0.7MPa (73 ~ 102psi)) is required. (Consumption air volume : 245 l / min)
 - Please prepare an air tube (outer diameter of 8) and connection coupling.
- Caution
 - Please be sure to read the Instruction Manual before using.
 - Please be sure to turn off the power, when changing a coil.
 - This unit is exclusively for MST's shrink fit holders.